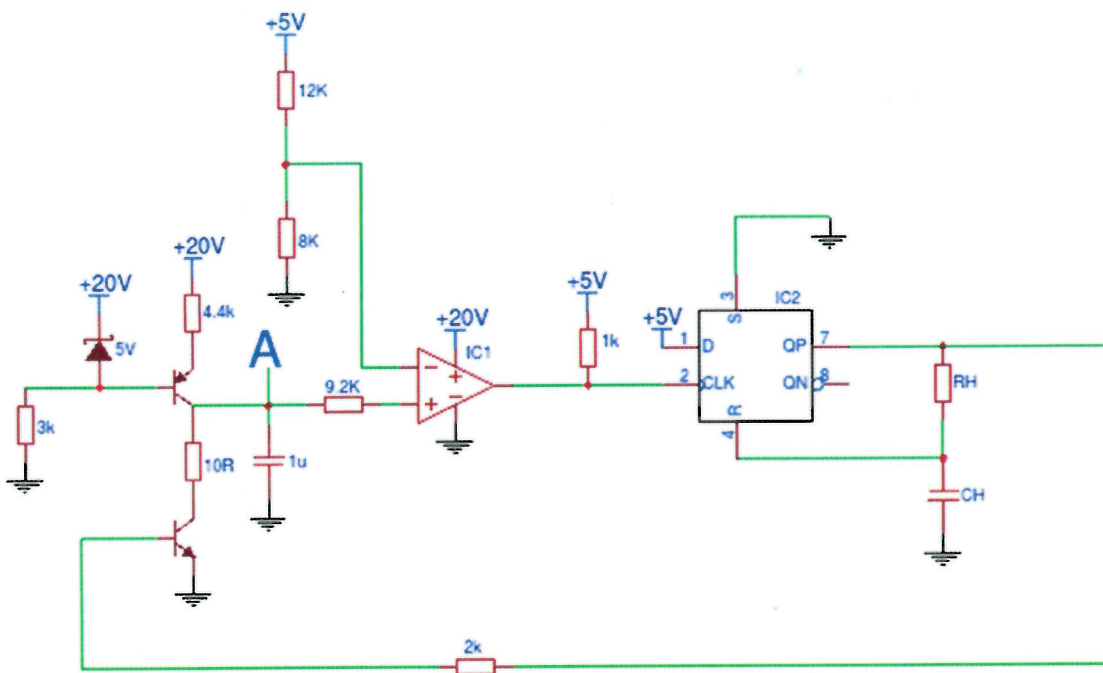
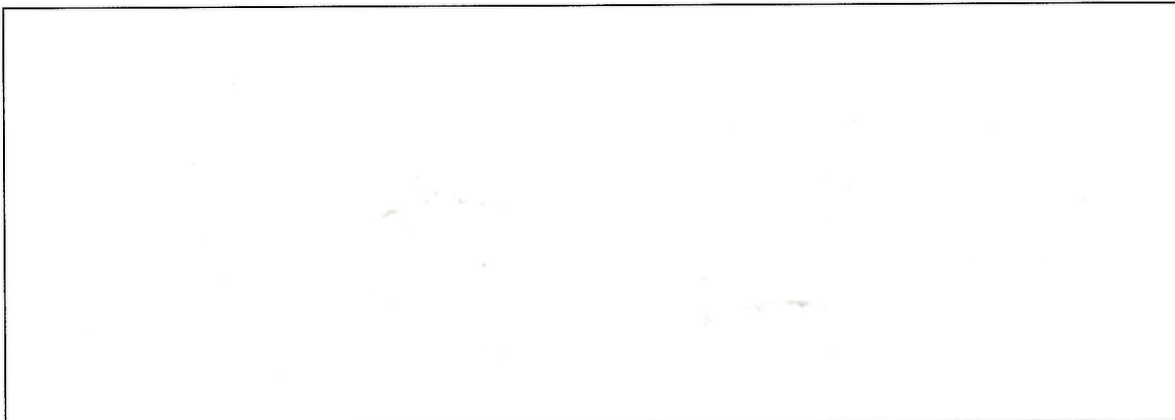


5 Circuit Analysis



a) Draw the waveform that will appear at point "A"

Give the amplitude but don't worry about timing. Draw 3 complete cycles.



b) What type of device is IC1 (including outputs)?

c) What type of device is IC2?